

M&M Manufacturing Company

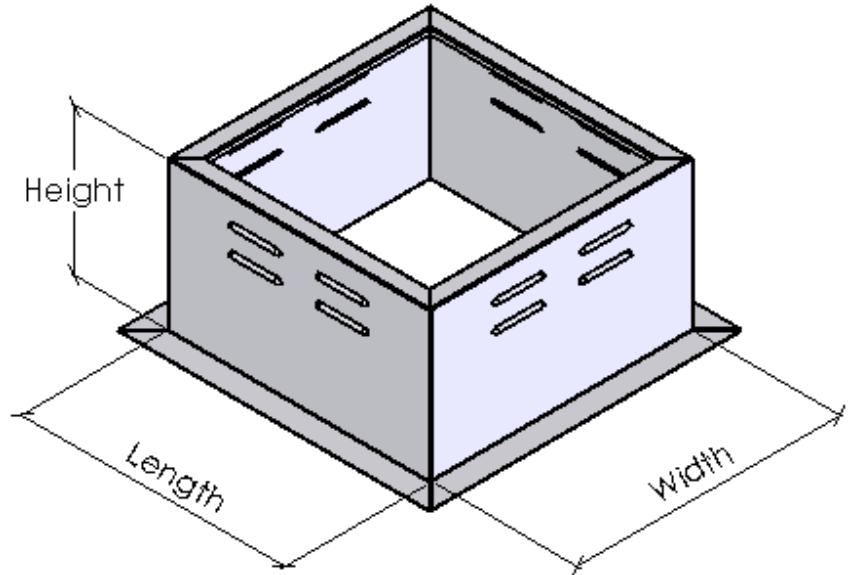
C-1100-002

Specifications:

- Galvanized Steel

Options:

- A. Insulation
- B. Wood Nailer
- C. No Nailer
- D. Aluminum
- E. Damper Tray
- F. Burglar Bars
- G. Flange Width



Customer: _____

Project: _____

Our Job#: _____

P.O. #: _____

Ship Date: _____

**C-1100-002 Fan Curb:
 Vented
 Straight sides**

Qty	*Gauge	Length	Width	Height	Vented		Options
					2 Sides	4 Sides	

*18 gauge standard unless otherwise noted