



M&M Manufacturing Company

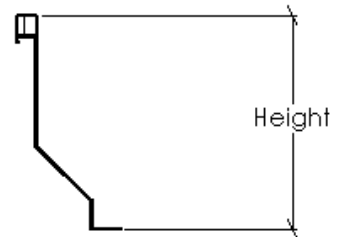
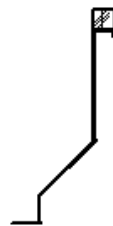
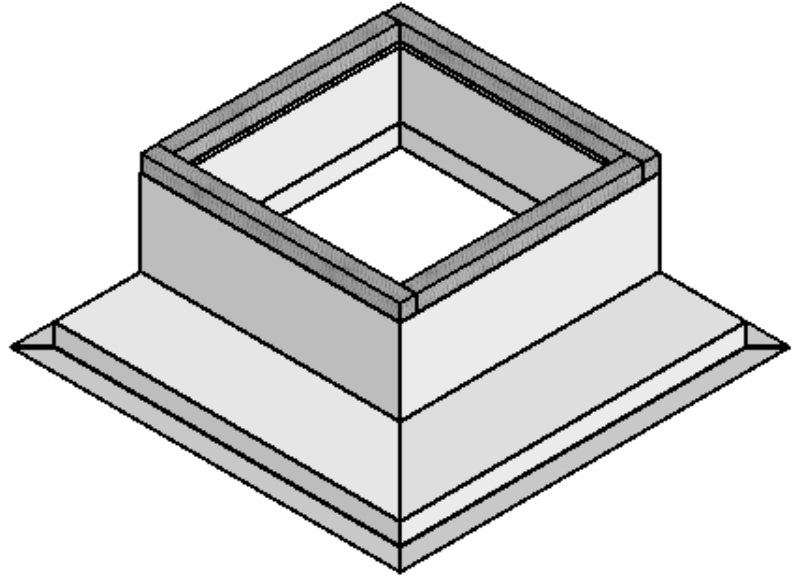
C-1300

Specifications:

- Galvanized Steel
- Wood Nailer
- Cant
- Step
- Insulation

Options:

- A. No Insulation
- B. No Nailer
- C. Aluminum
- D. Damper Tray
- E. Burglar Bars
- F. Metal Liner



Customer: _____

Project: _____

Our Job#: _____

P.O. #: _____

Ship Date: _____

C-1300 Fan Curb: Stepped & Canted Sides

Qty	*Gauge	Length	Width	Height	Cant Height	Step Height	Options

*18 gauge standard unless otherwise noted

360 S. Shiloh Road, Garland, TX 75042 <> (972) 485-1504 or Fax (972) 485-1314
 www.mmmfg.com<> email: mmsales3@mmmfg.com